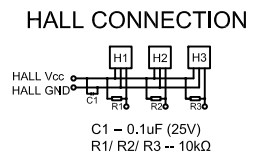
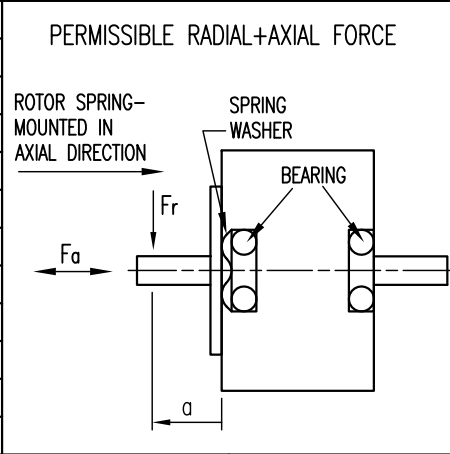


Connector 1: JST B5P-VH		Connector 2: JST B6B-PH-K-S	
PIN1	GND	PIN1	GND
PIN2	Phase U	PIN2	+5V DC(4.5-18V DC)
PIN3	Phase V	PIN3	Hall 1
PIN4	Phase W	PIN4	Hall 2
PIN5	GND	PIN5	Hall 3
		PIN6	GND



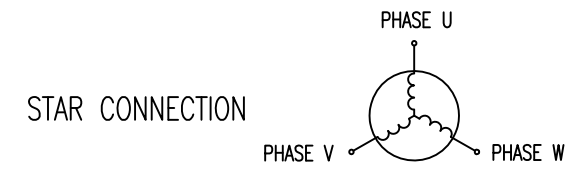
SPECIFICATION	CONNECTION	STAR
NO. OF POL./PHASE		16/3
VOLTAGE RATED (VDC)		24
NO LOAD CURRENT (A)		<0.3
CURRENT RATED/PEAK (A)		2.36/ 7.0
RESISTANCE/PHASE TO PHASE (Ohms) @20°C		0.7 ±10% Δ
INDUCTANCE/PHASE TO PHASE (mH) @1KHz		0.33 ±20% Δ
TORQUE RATED/PEAK (Nm) [lb-in]		0.084/0.25 [0.74/2.22]
TORQUE CONSTANT (Nm/A)		0.0335
POWER RATED (W)		50
SPEED RATED/NO LOAD (RPM)		5260/6700 Δ
ROTOR INERTIA (Kg-m ²) [lb-in ²]		1.35x10 ⁻⁵ [0.046]
WEIGHT (Kg) [lb]		0.12 [0.26]



WIRING DIAGRAM

	FUNCTION	Dir. \longleftrightarrow					
MOTOR 16 POL.	U	X	HI	HI	X	LOW	LOW
	V	HI	X	LOW	LOW	X	HI
	W	LOW	LOW	X	HI	HI	X
HALL 48 IMPL. REV.	+5V						
	H1	0	0	0	1	1	1
	H2	0	1	1	1	0	0
	H3	1	1	0	0	0	1
	GND						

TEMPERATURE RISE: MAX.80°C		AXIAL-FORCE Fa (N)	Fa=10 max.
AMBIENT TEMPERATURE -20°~ 50°C Δ		DISTANCE a (mm)	10
INSULATION RESISTANCE 100 MOhm (UNDER NORMAL TEMPERATURE AND HUMIDITY)		RADIAL-FORCE Fr (N)	28 max.
INSULATION CLASS B 130° [266°F]			AXIAL RADIAL
DIELECTRIC STRENGTH 500VAC FOR 1 MIN. (BETWEEN THE MOTOR COILS AND THE MOTOR CASE)		SHAFT PLAY (mm)	0.14 0.02
AMBIENT HUMIDITY MAX. 85% (NO CONDENSATION)		AT LOAD MAX: (N)	4 4



1	CHANGE AMBIENT TEMP.	16.01.15	J.D.
C	UPDT. DATA	17.10.14	J.D.
B	VALUE CHANGED	08.08.14	J.D.
REV	DESCRIPTION	DATE	APVD



DF45M024053-A

SCALE FREE	APVD	G.S.	04.08.14
X ±0.5	CHKD		
1PL ±0.2	DRN	J.D.	04.08.14
2PL ±0.1	SIGNATURE	DATE	
ANGLE ±30°			

BRUSHLESS DC MOTOR

DWG.NO DF45M024053-A